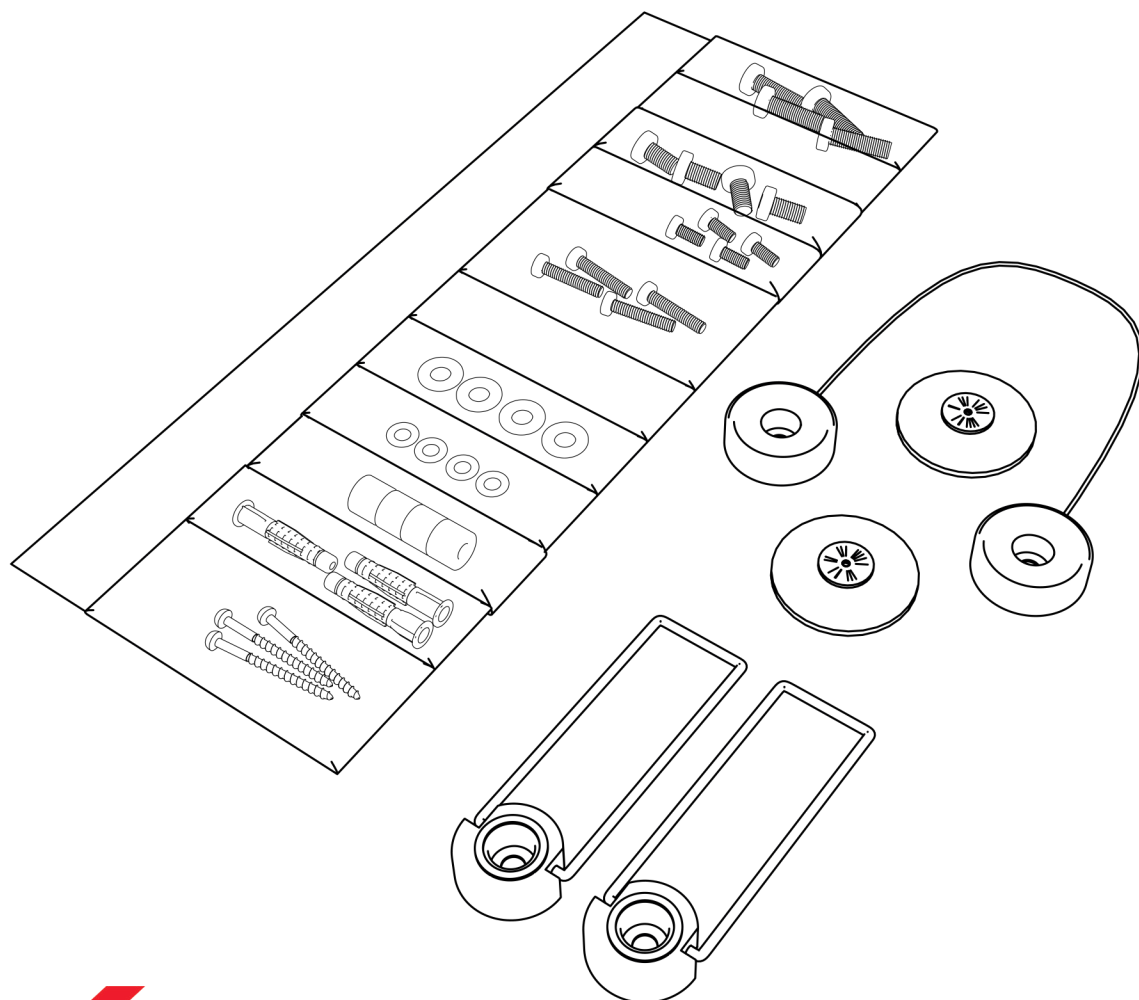


MONITORSEILHALTERUNG

MONITOR CABLE MOUNT

Aufbauanleitung

User manual



FLYERALARM

EXPO SYSTEMS

TIPS & SAFETY

✉ SUPPORT REQUEST

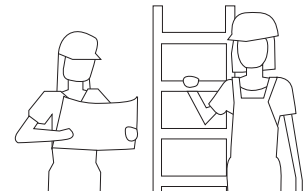
support@pixlip.com



ASSEMBLY ONLY WITH CLEAN HANDS



TWO PEOPLE ARE REQUIRED FOR THE ASSEMBLY.



Before the installation and use of the appliance, carefully read the supplied instructions. The manufacturer is not responsible for any injuries or damages that are the result of incorrect installation or usage. Always keep the instructions in a safe and accessible location for future reference. Assembly and installation should only be carried out by trained specialist personnel.

Please only use the delivered devices. Faulty wiring can cause damage. Do not install or use a damaged appliance.

Please consider that unauthorized modifications on the device are forbidden due to safety reasons! Disconnect your system from the power supply before starting installation or maintenance work. Please make sure that it cannot be switched on again accidentally.

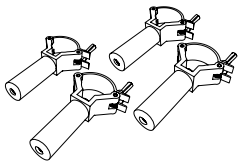
Do not expose the device to direct sunlight, moisture, extreme heat, hot light or strong magnetic fields. Keep proper ventilation around the unit and do not stack any object on it. Never operate the device without casing hood, with closed vent slots, at high temperatures, at high air moisture.

Connect the system only to an easily accessible socket located near the installation site. Always use a correctly installed shockproof socket. To avoid tripping hazards, do not use extension cables and don't use multi-plug adapters.

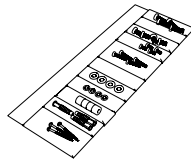
Output current and output wattage must not exceed the rated values on the specifications.

Do not stare directly into the LEDs. Do not use devices which can strongly focus light for viewing the light beam. Do not use aggressive chemicals or abrasives for cleaning.

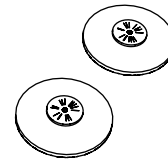
COMPONENTS



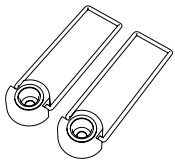
Montagebolzen
Mounting Bolt



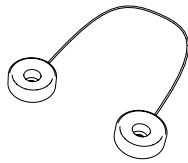
Schrauben Set
Screw Set



Wandscheiben
Wall Disks



Abstandshalter
Spacers



Vertikalclipse
Vertikal Clips

Monitorseilhalterung | Monitor Cable Mount

4 × **Montagebolzen** | Mounting Bolt

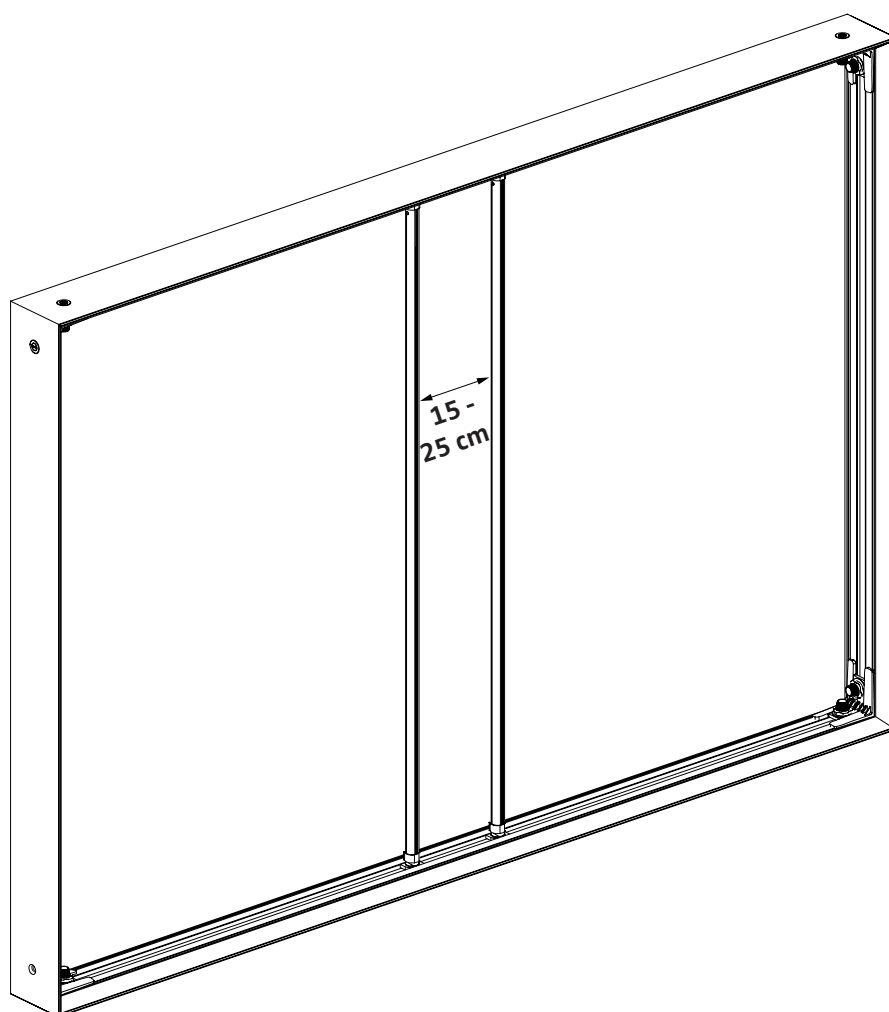
1 × **Schrauben Set** | Screw Set

2 × **Wandscheiben** | Wall Disks

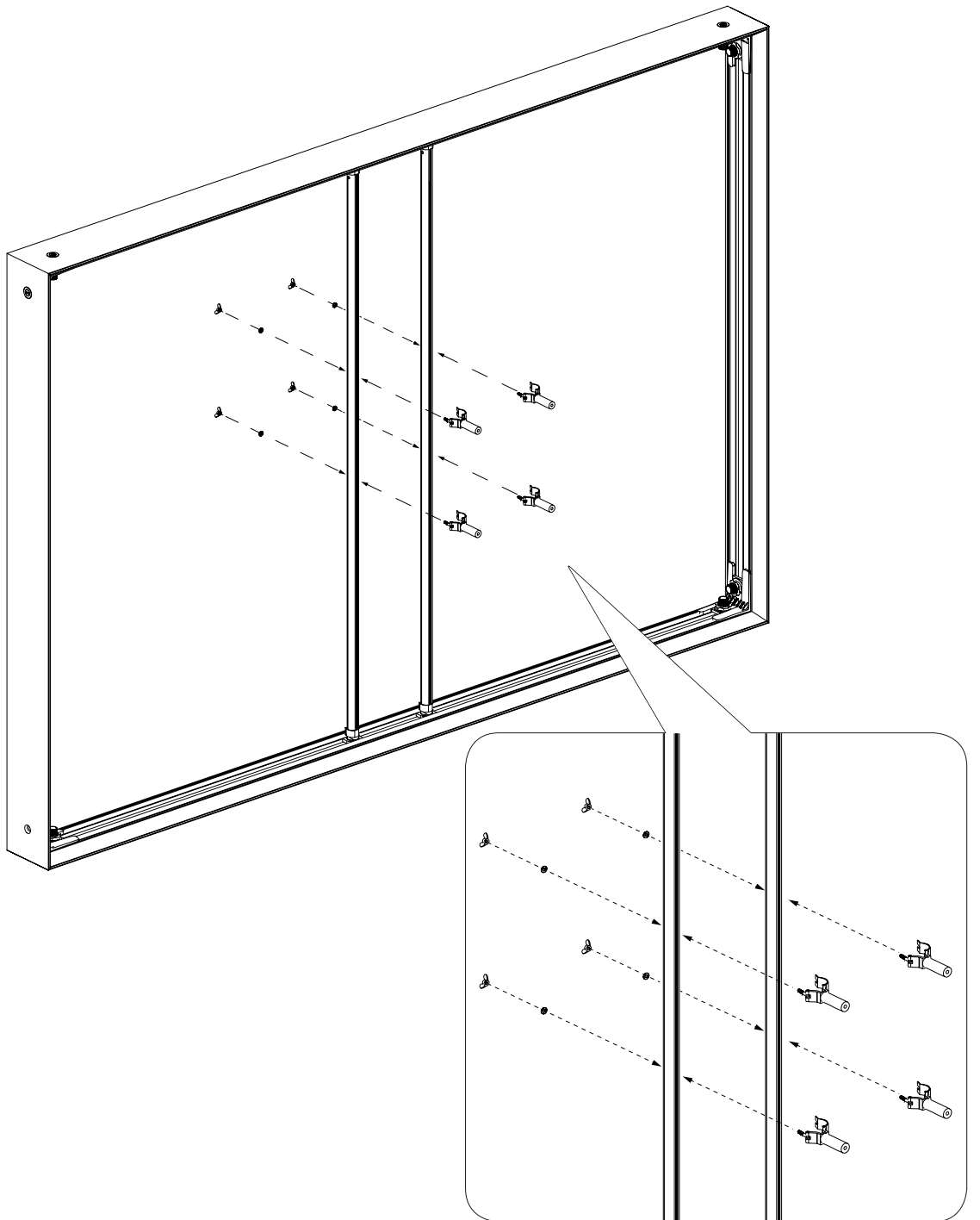
2 × **Abstandshalter** | Spacers

1 × **Vertikalclipse** | Vertical Clips

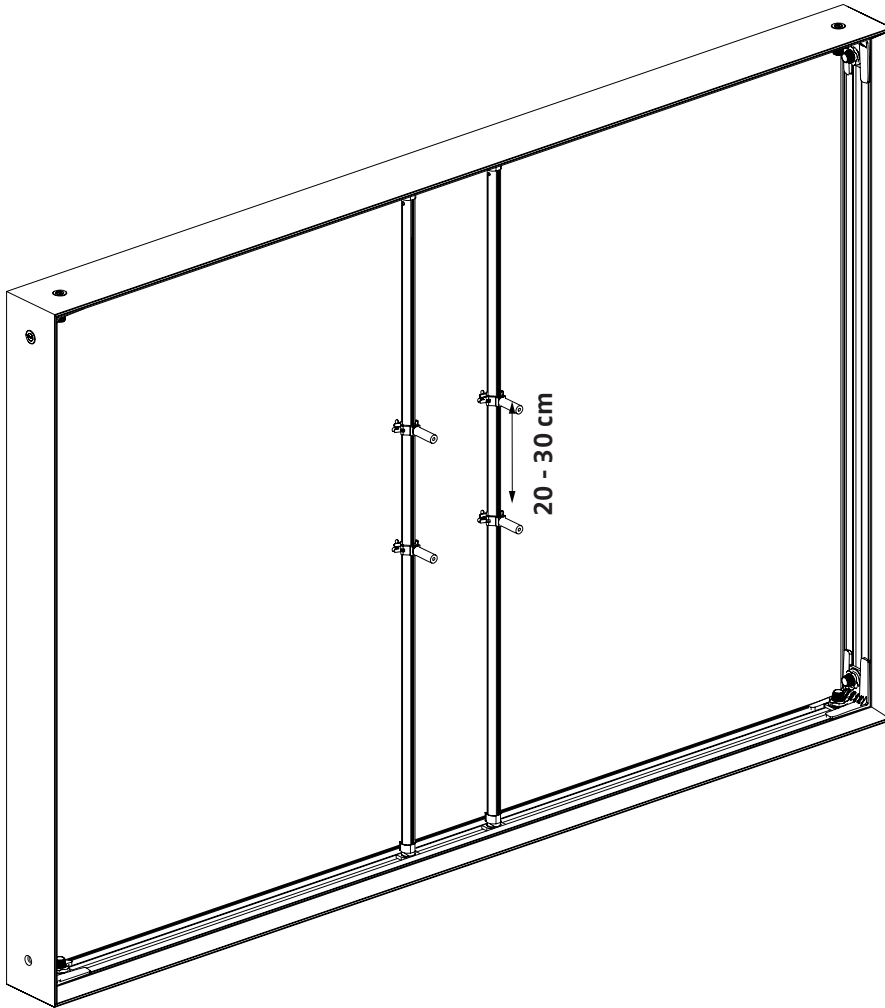
①



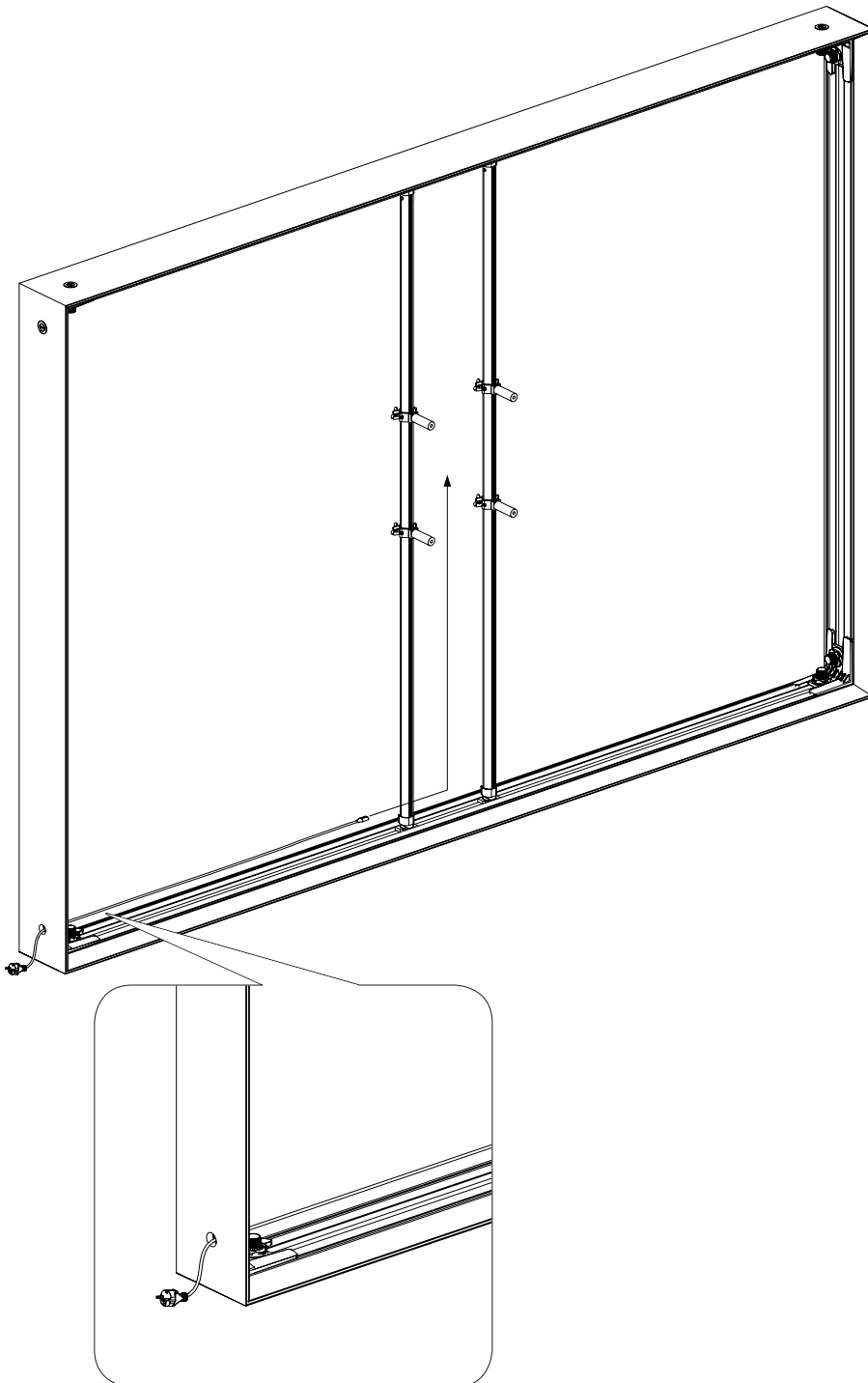
2



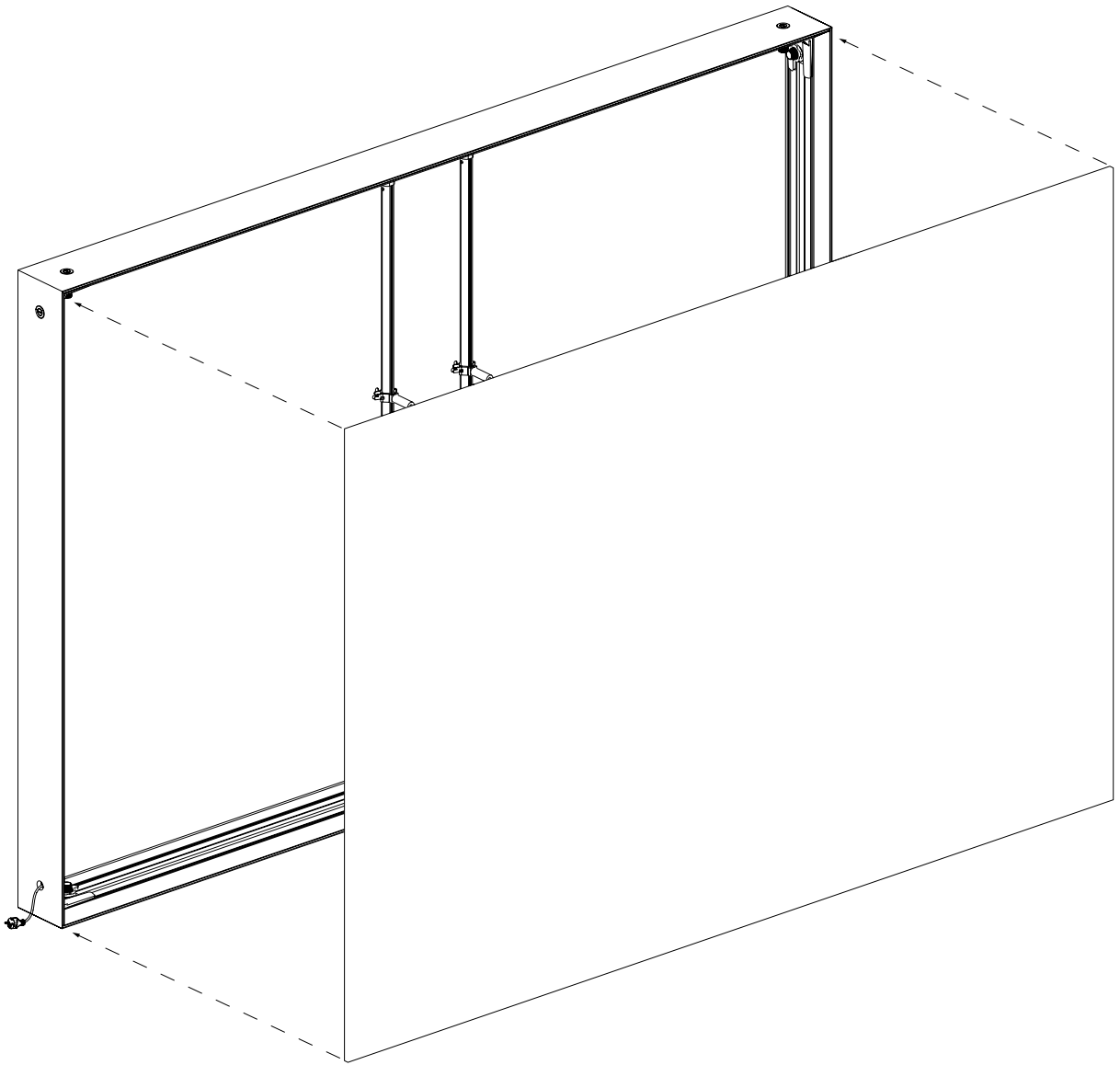
3



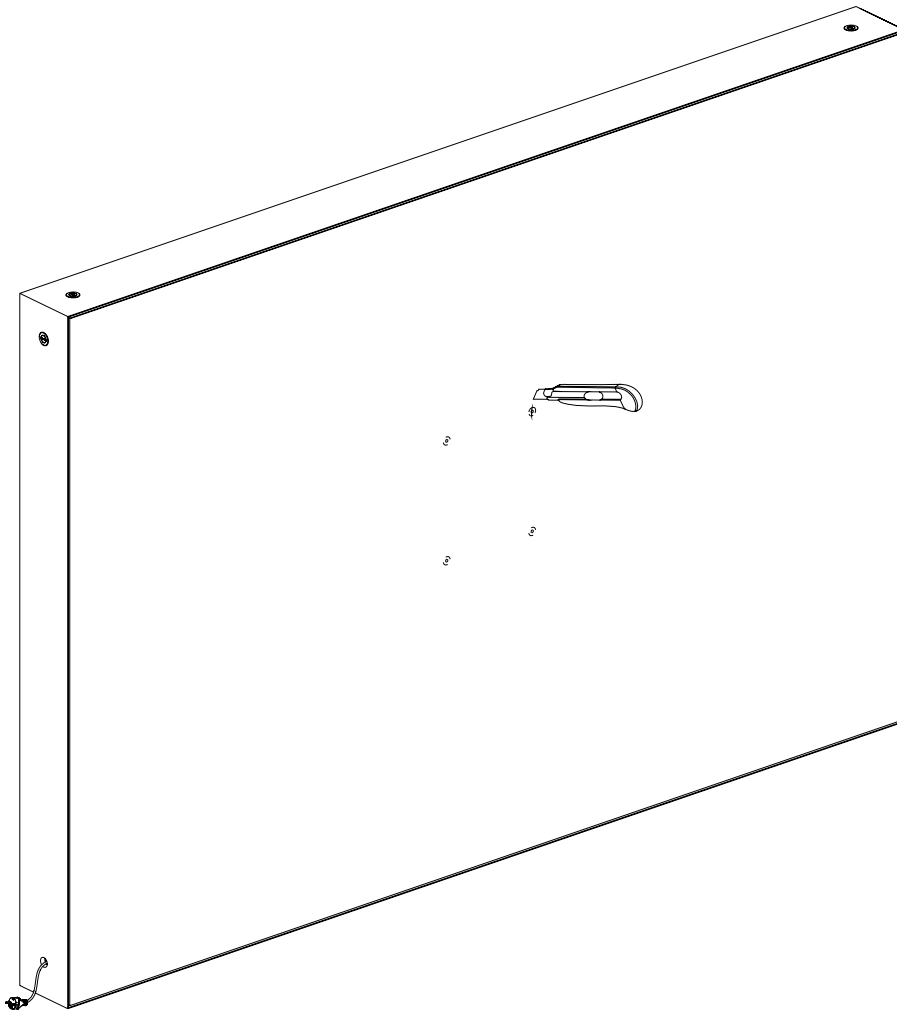
4



5

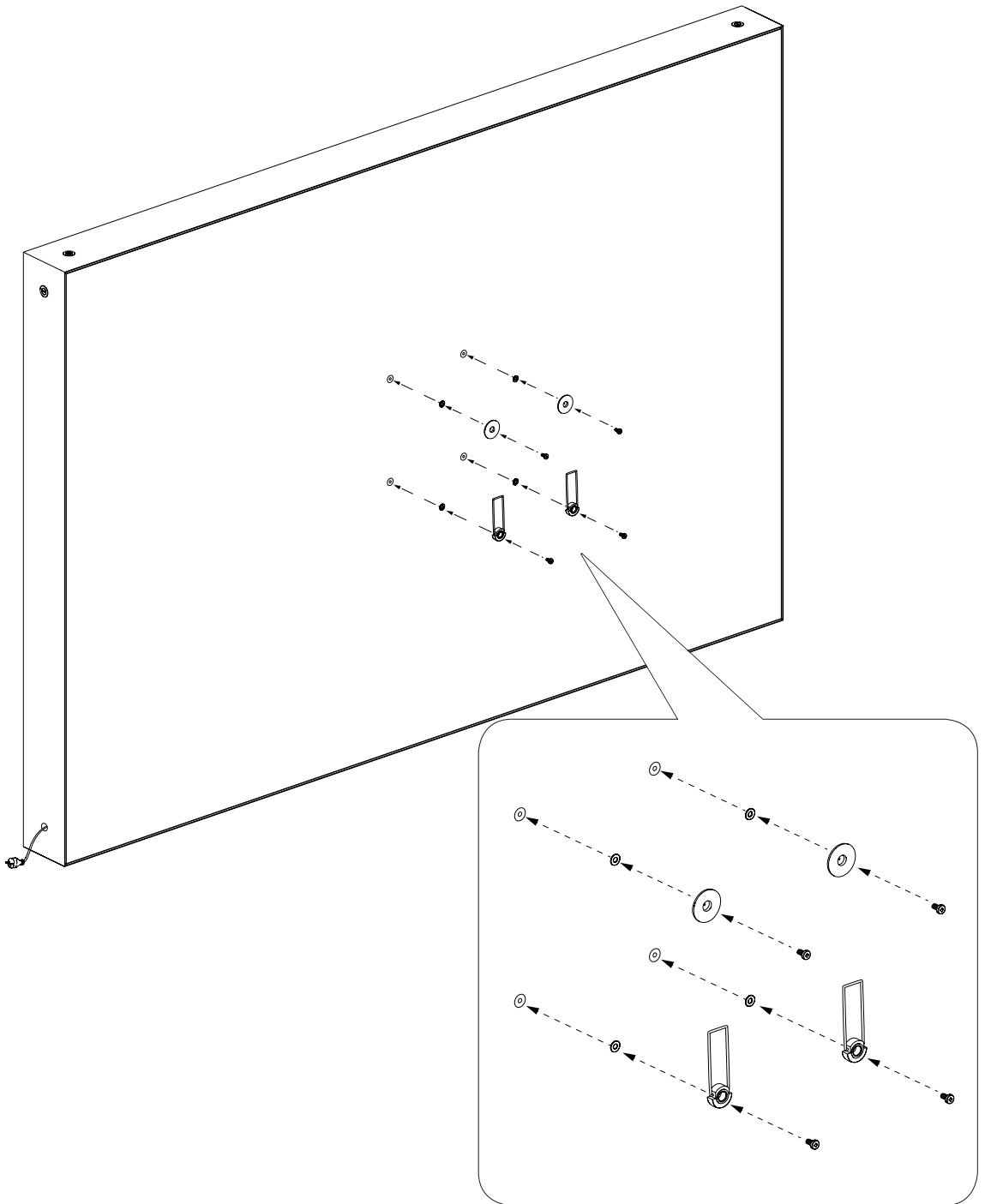


6

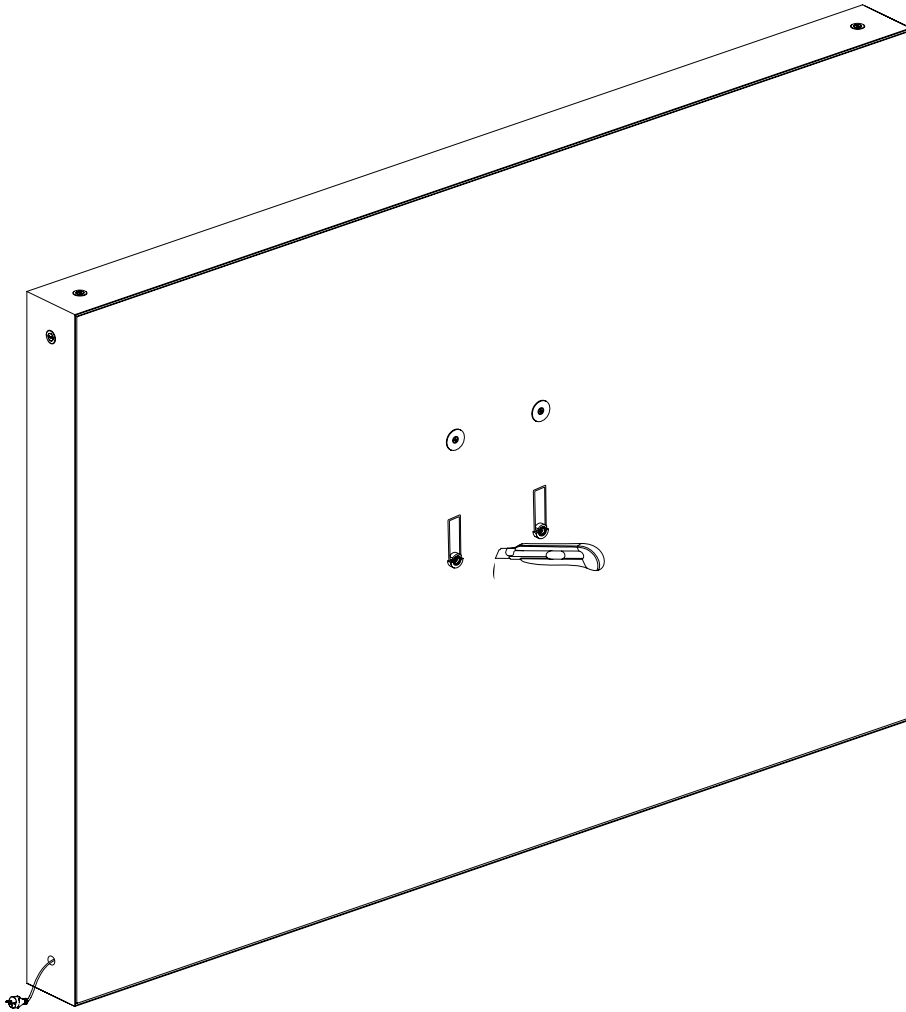


Cut holes in the textile at the points where the mounting bolts are visible in order to attach the other holders later.

7

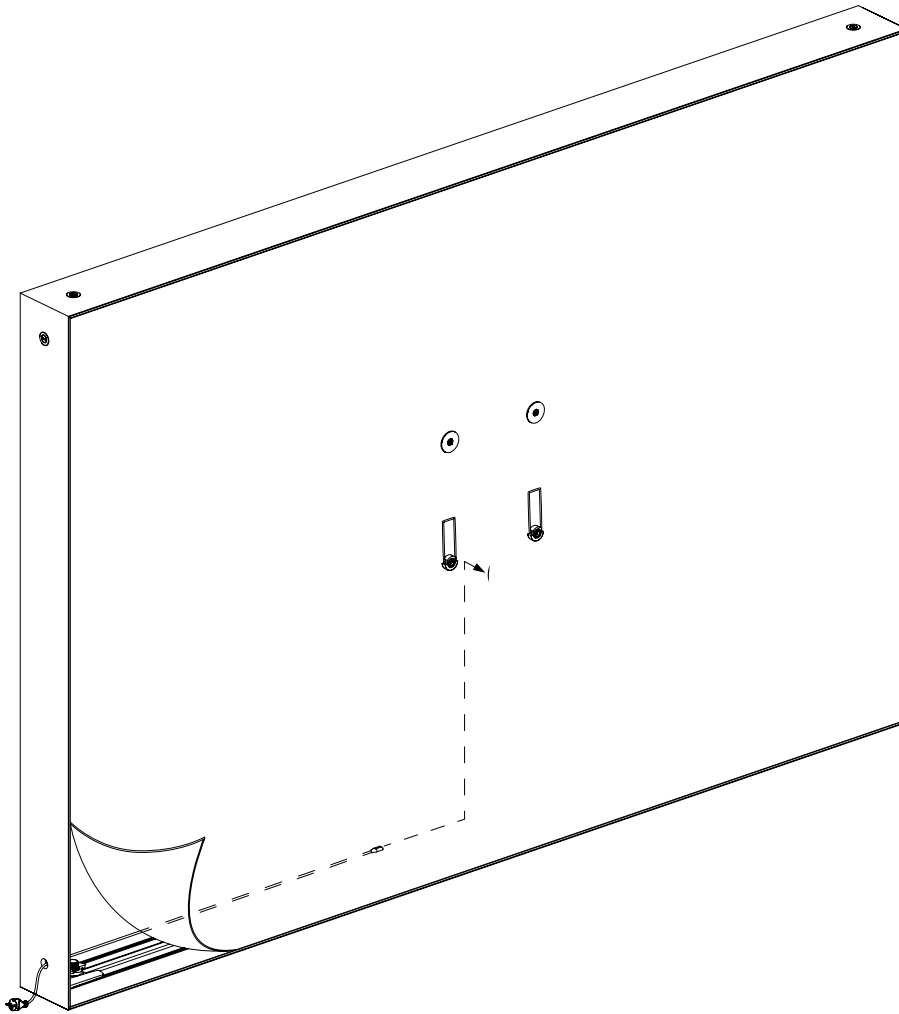


8



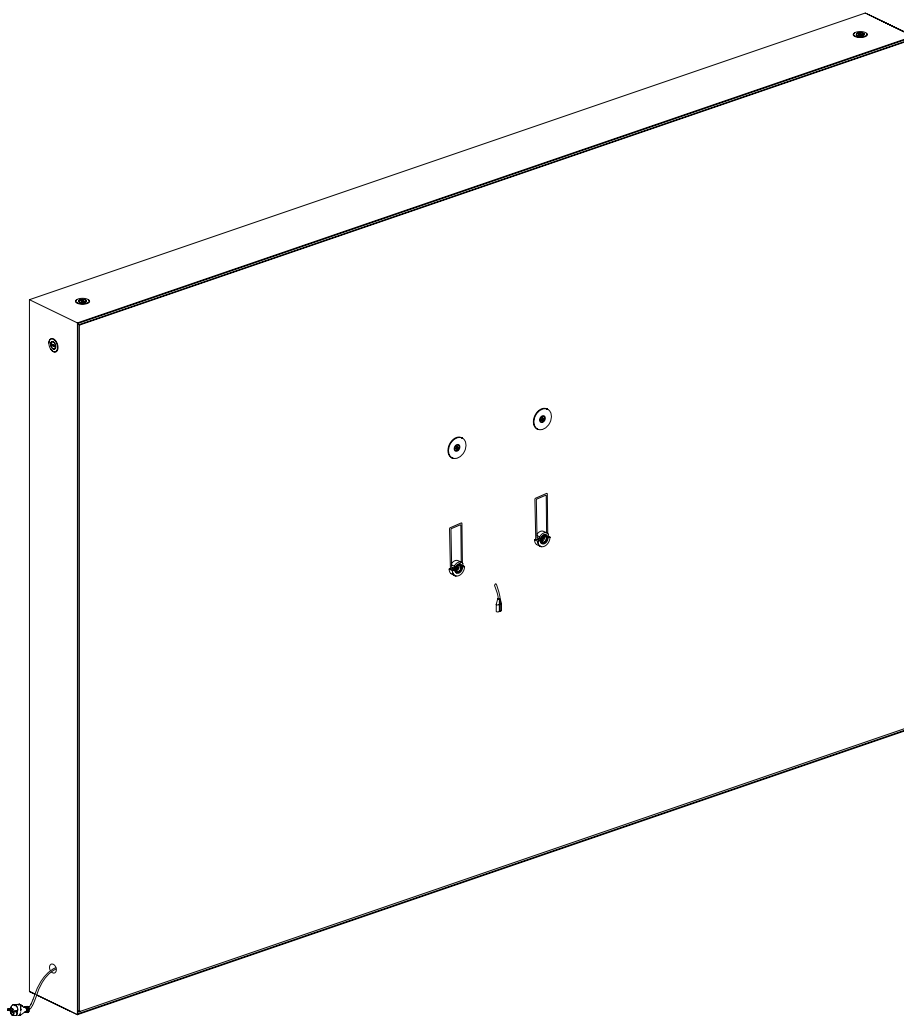
Cut a hole in the textile at that point where the cable connection of the TV must be placed.

9

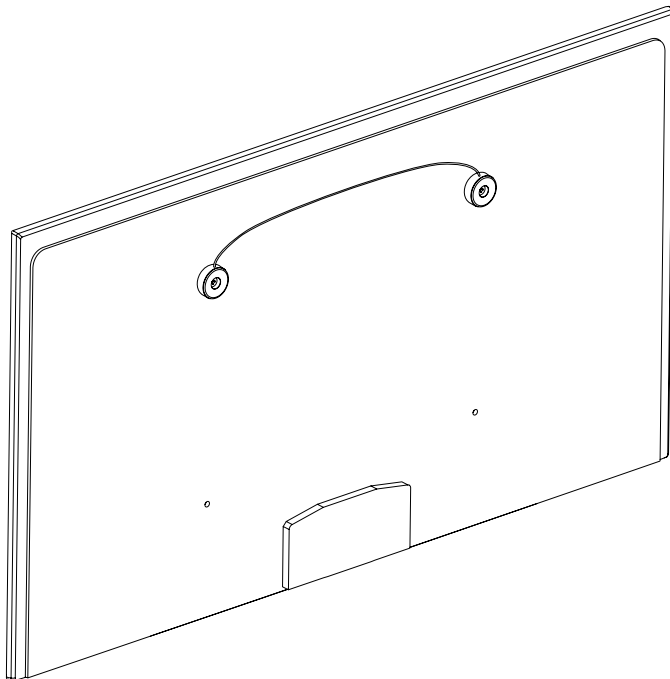
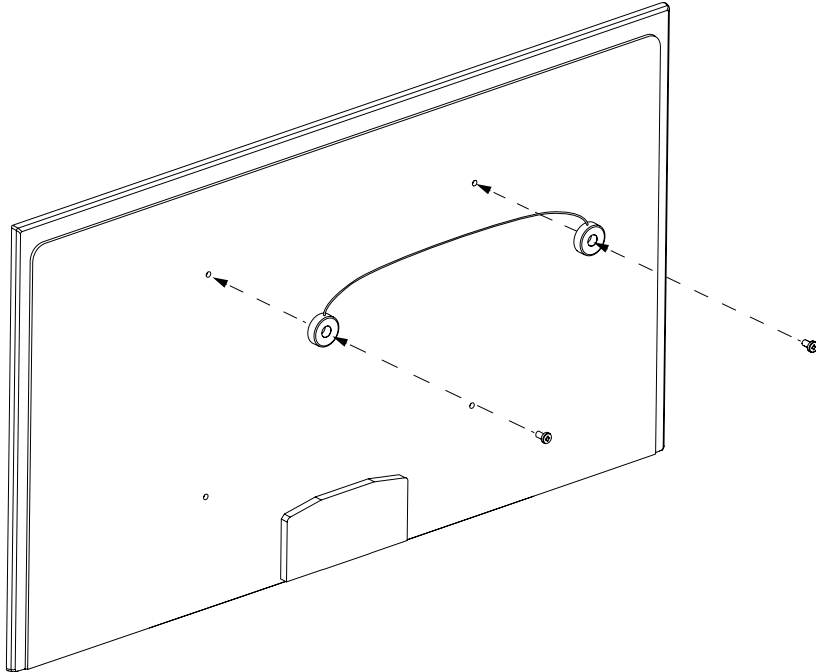


Remove one corner of the print to lay the cable connection for the TV.

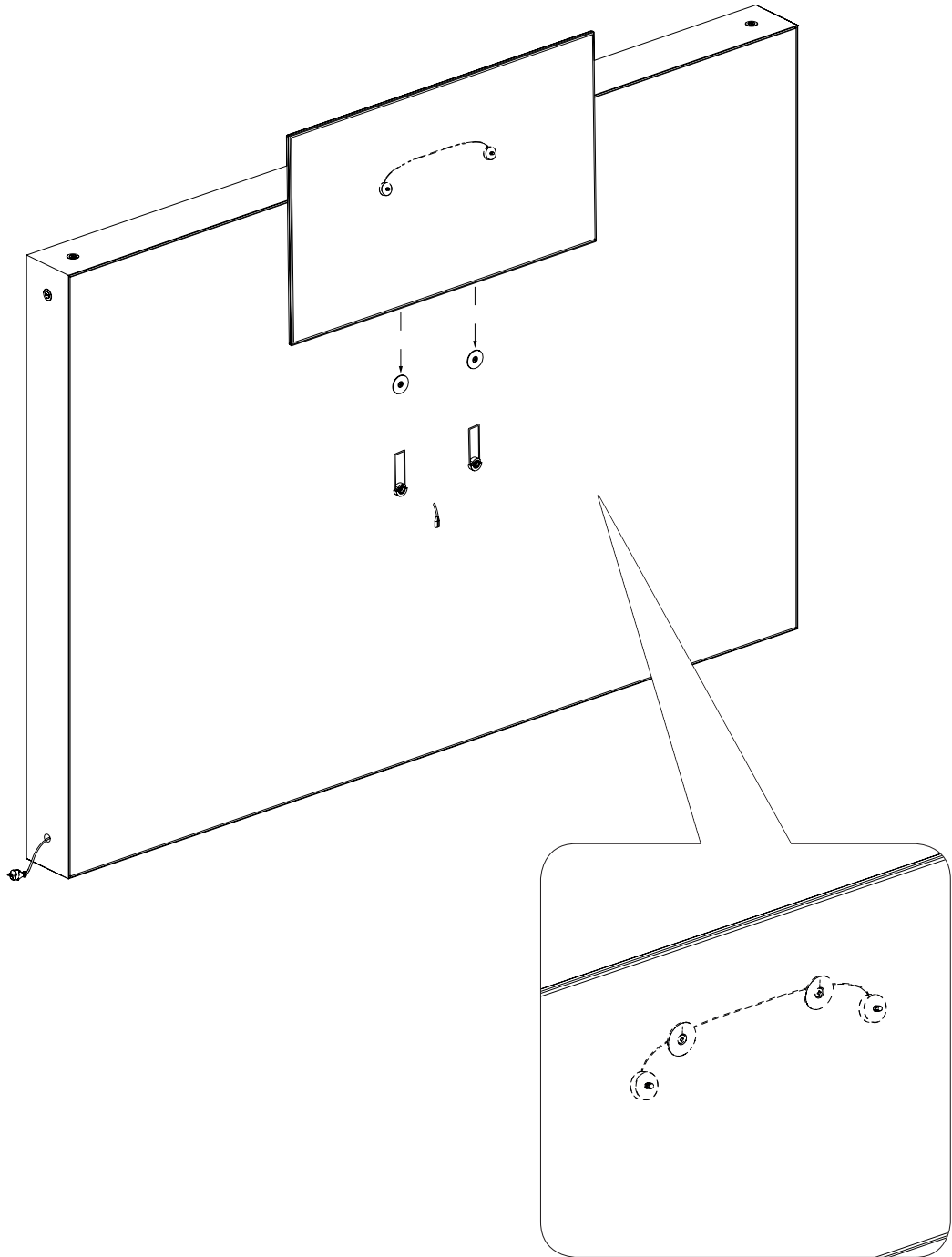
10



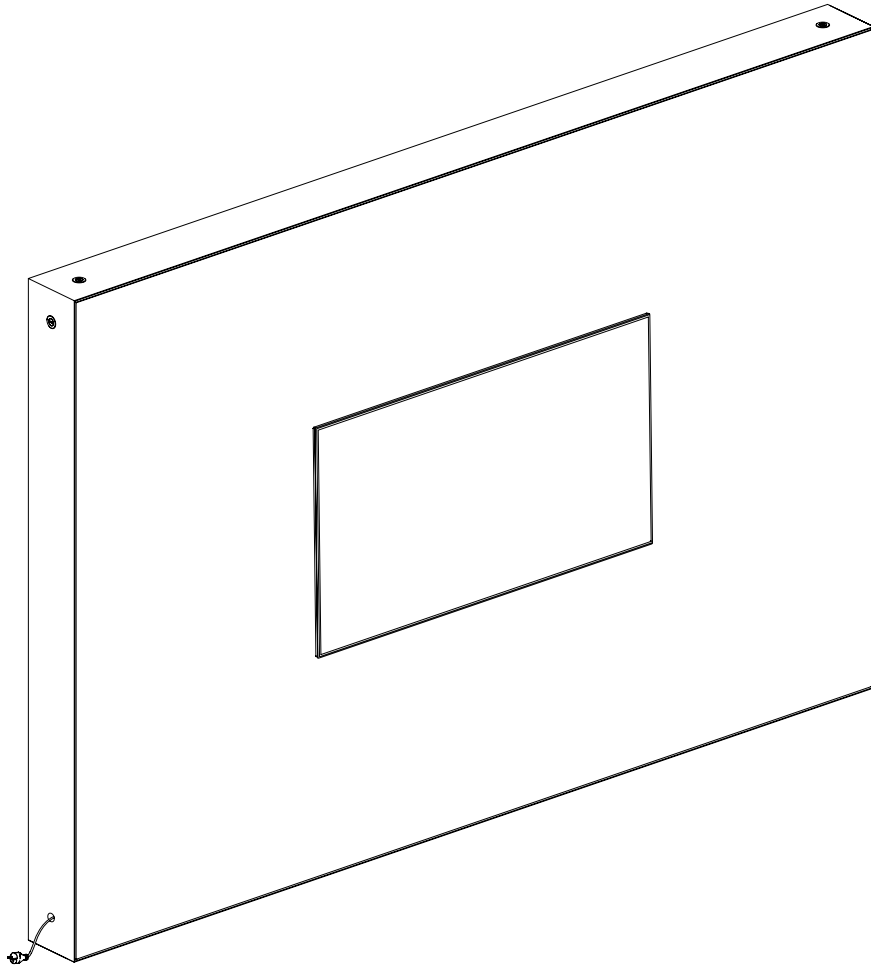
11



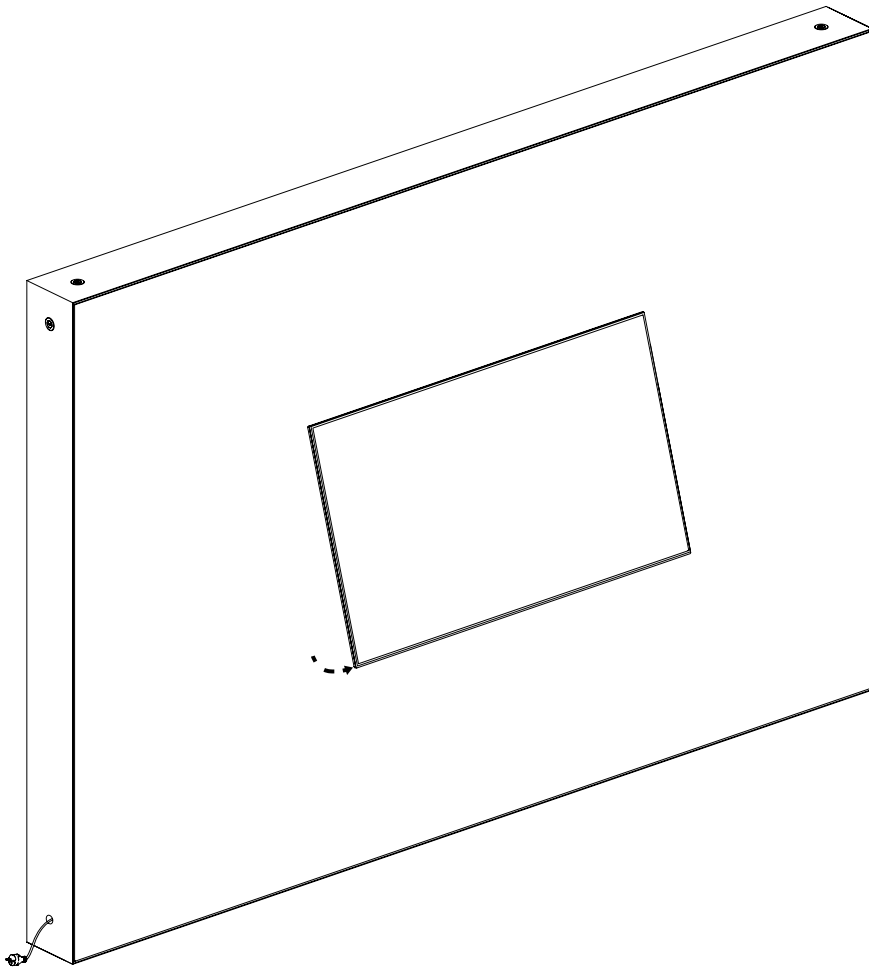
12

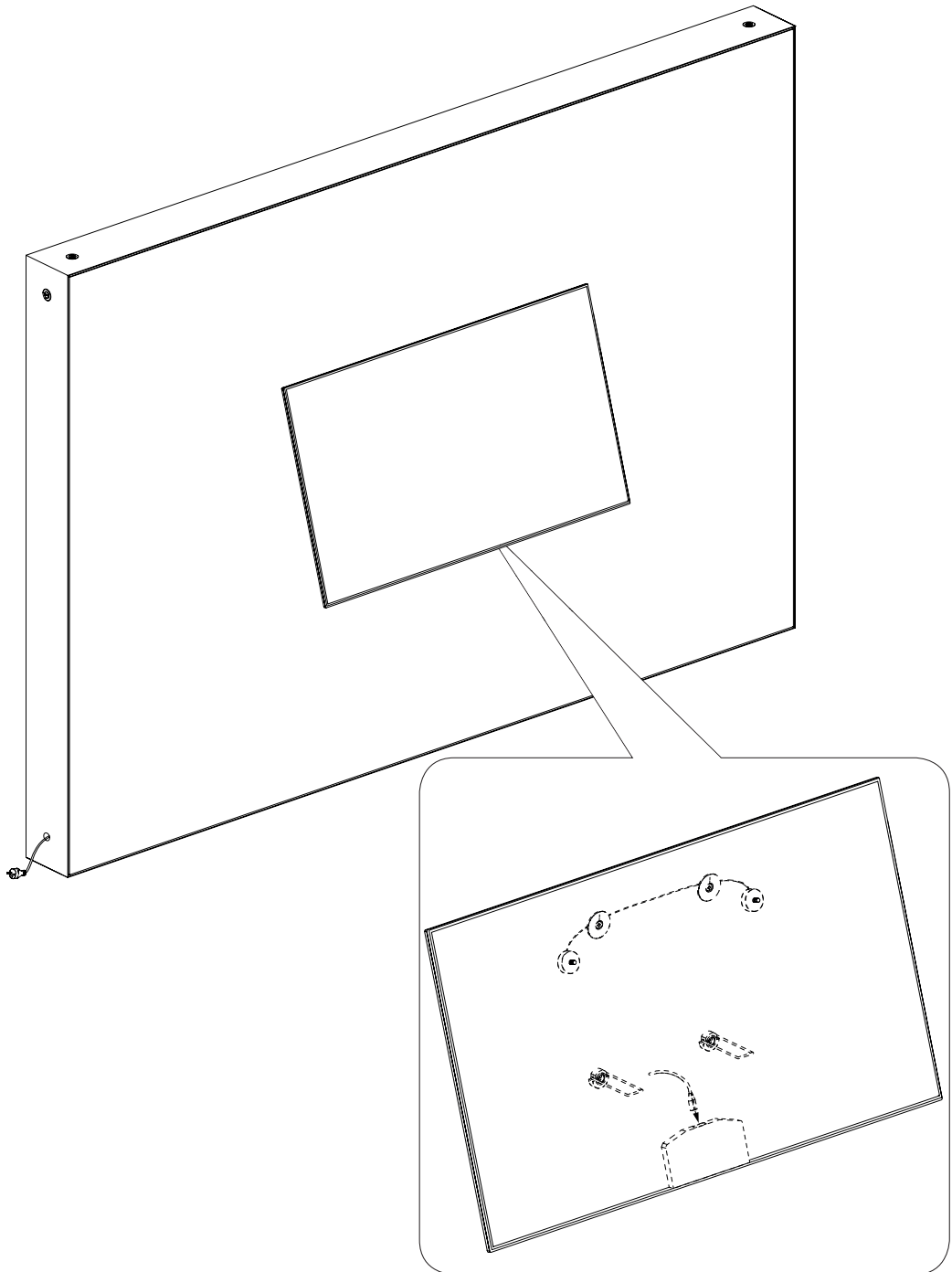


13



14





16

